

**TABLE OF CONTENTS**

Horizontal Gutter Specifications and Options ..... 2

Features: ..... 2

Isometric Detail..... 3

Standard Parts..... 4

Assembly Detail..... 5

Simple Rake & High Eave Details ..... 6

Gutter To Rake Transitions..... 7

Downspout Options ..... 8

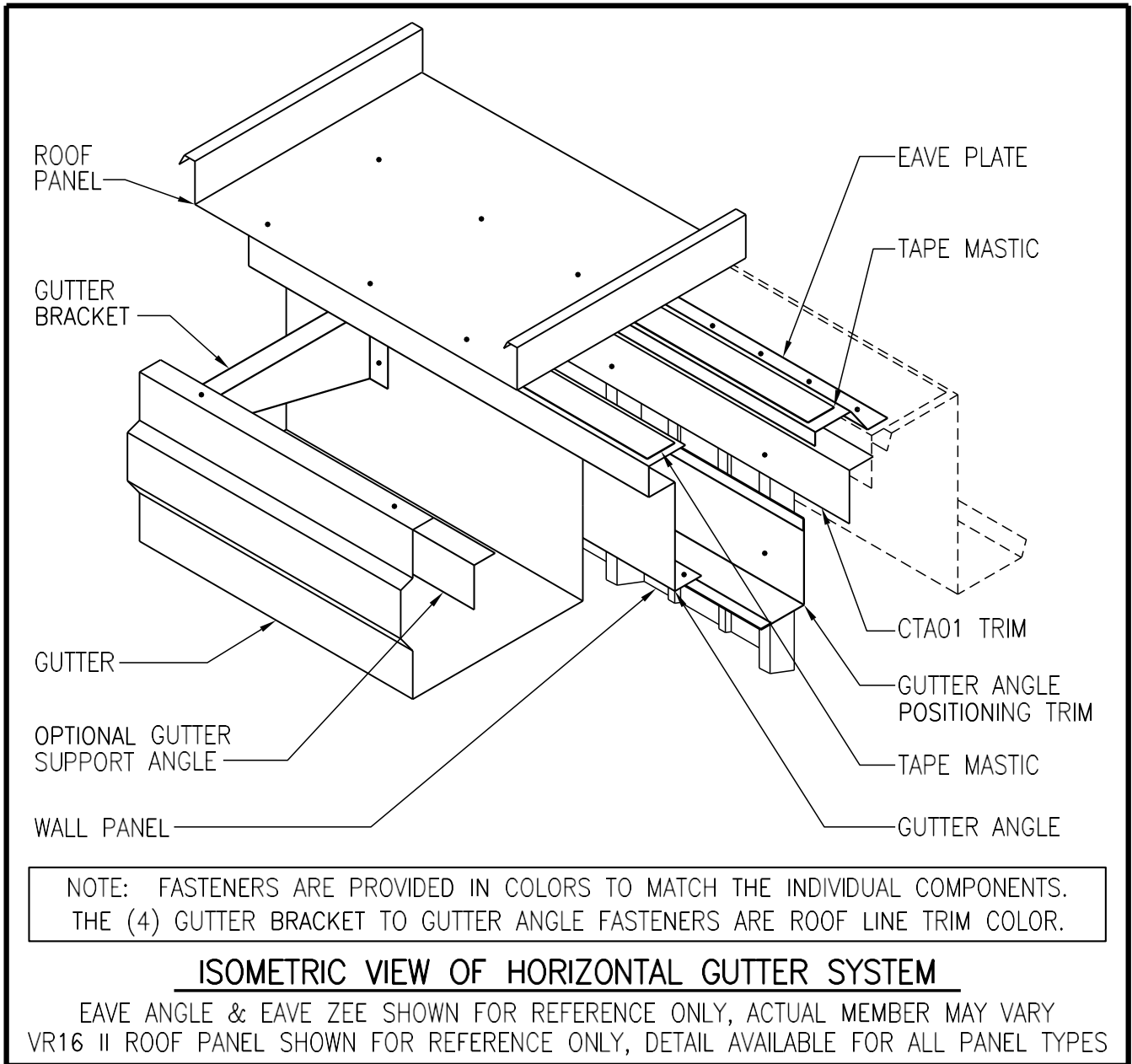
## HORIZONTAL GUTTER SPECIFICATIONS AND OPTIONS

See Sections 11.4, 11.6, and 11.7 for Standard Details.

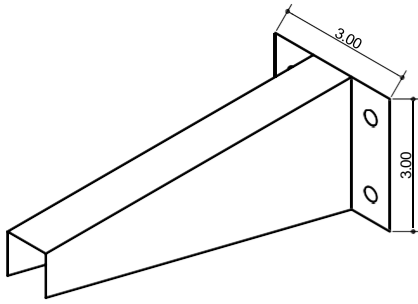
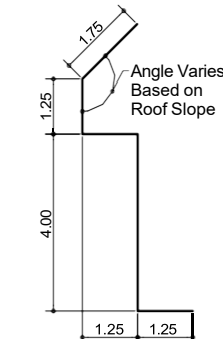
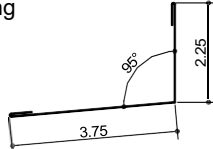
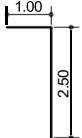
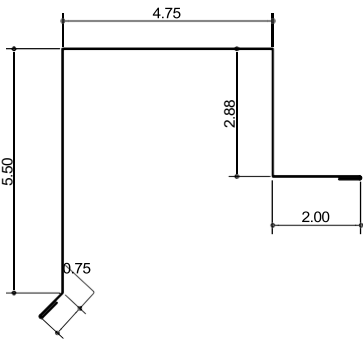
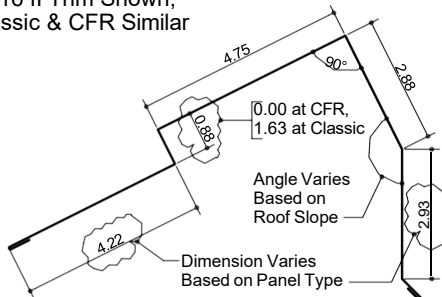
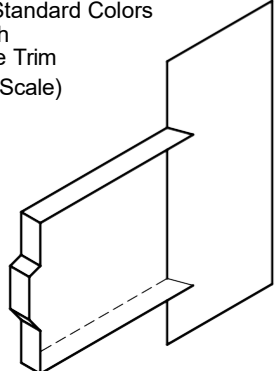
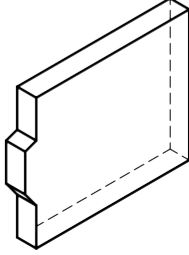
### FEATURES:

- **Universal Heavy Gauge Gutter Bracket:** Works for virtually any roof pitch, and is hidden from view, so it does not need to be painted.
- **Optional Gutter Bracket Spacing:** Standard spacing is 4'-0 on center. 2'-0 spacing is recommended in snow regions.
- **Optional Gutter Reinforcement Angle:** Typically used in Heavy Snow locations.
- **Optional Simple Rake Trim Profile:** Typically used with VR16 II Roof applications, but available for all NBS roof types. Simple High Eave Trim for Single-Slope buildings to coincide with the Simple Rake Trim.
- **Optional Rake Retainer Trim:** With the use of the Simple Rake Trim, the Rake Retainer Trim is Optional for panel runs less than 35'. It is **required** for panel runs greater than 35' to allow the rake trim to move with the thermal expansion and contraction of the roof panel.
- **Installation Flexibility:** Much of the work can be done on the ground.
- **Metal Gutter End Caps:** Provides strength at the ends of the gutter and clean, erector friendly rake trim transition. No plastic parts with this system.
- **Gutter Capacity:** No loss of gutter capacity because of steep pitch roof. System is independent of roof slope.
- **Downspout Options:** Corrugated and Press-Broke Downspouts available.
- **BERT:** All of the options listed above are being added to the BERT contract for ease of ordering. For a short time, a Quote Qualification Sheet will be necessary (see the last page of this document).

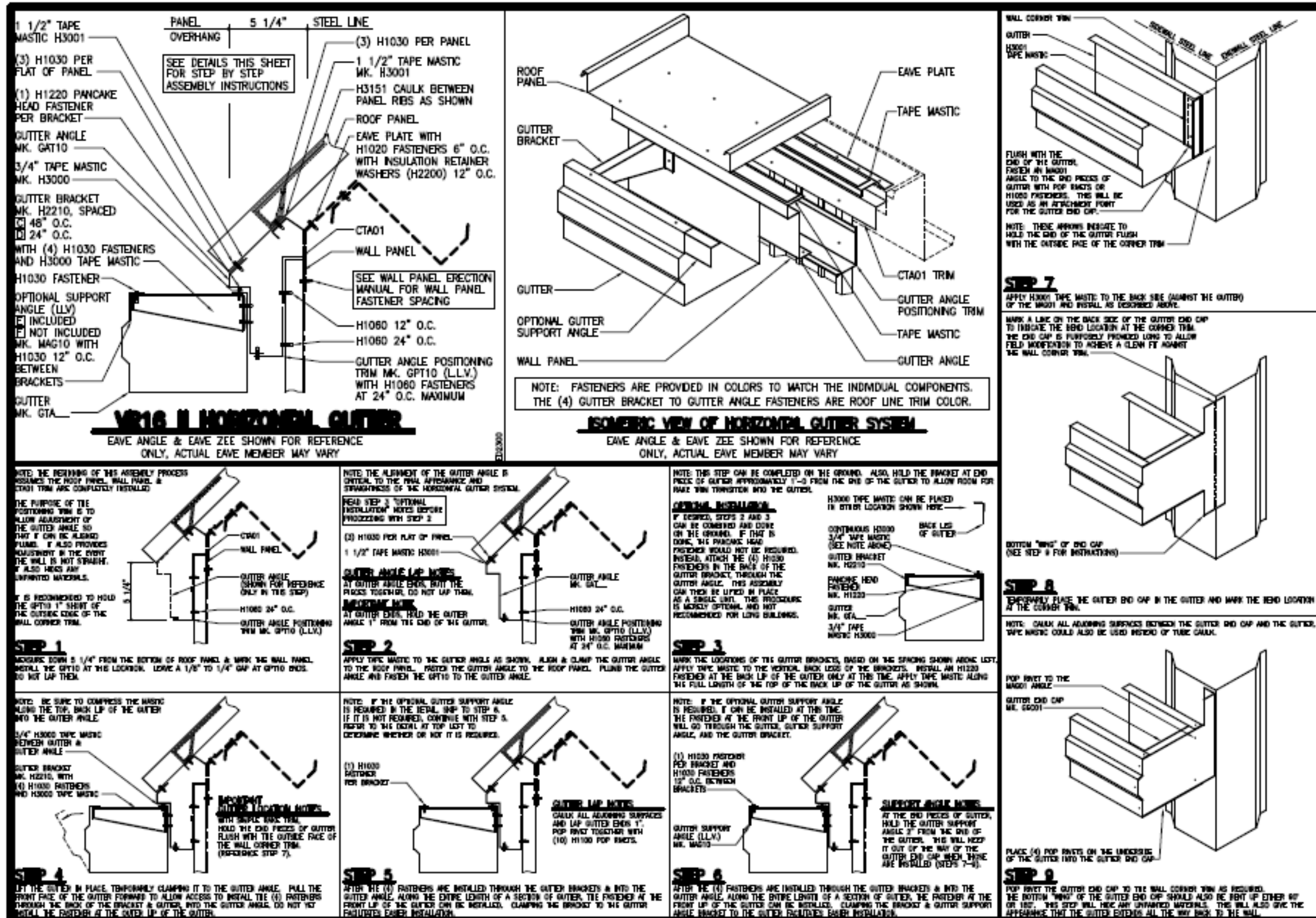
**ISOMETRIC DETAIL**



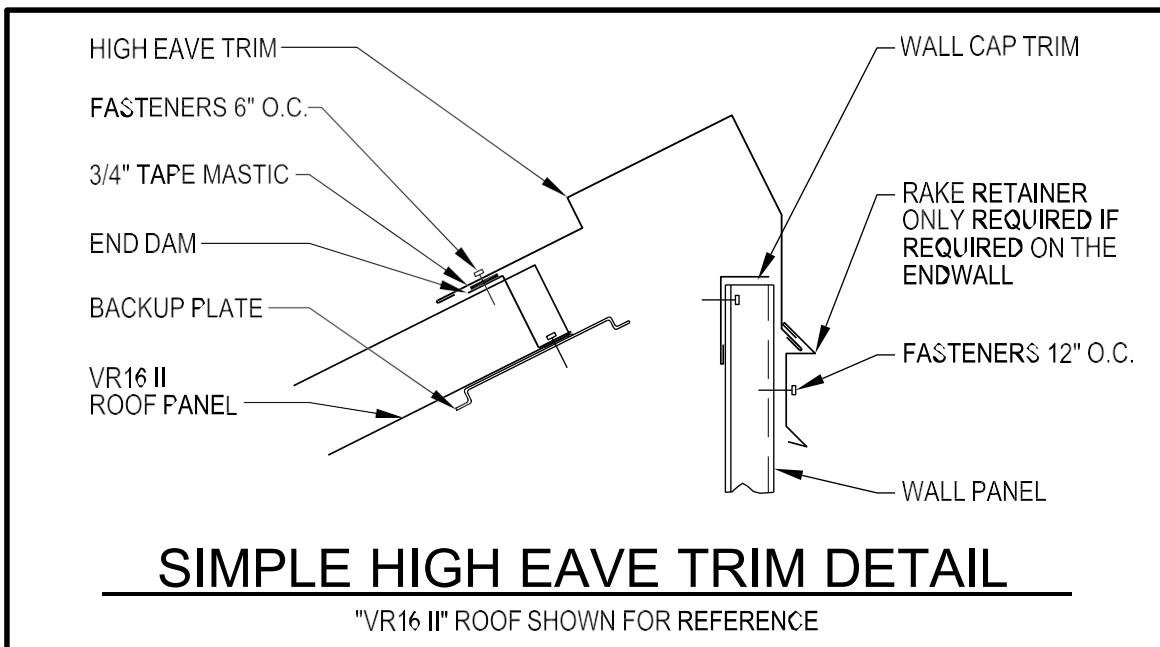
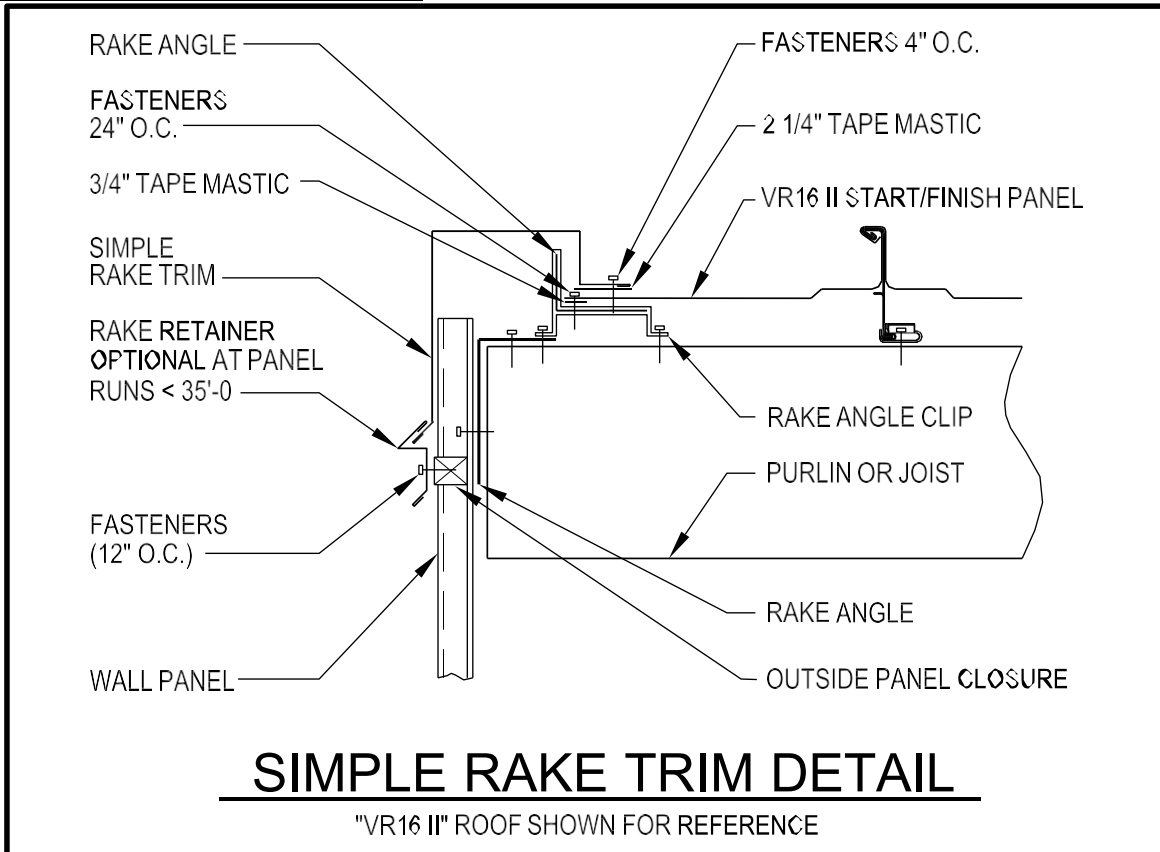
**STANDARD PARTS**

<p>18 Gauge, Galvanized This is a Buyout Part</p>  <p><u>GUTTER BRACKET</u> (H2210)</p>	<p>18 Gauge, Burnished Slate or Polar White Only, 10'-1" Long</p>  <p><u>GUTTER ANGLE</u> (GAT_)</p>	<p>26 Gauge, Standard Colors 10'-1" Long</p>  <p><u>GUTTER POSITIONING TRIM</u> (GPT10)</p> <p>18 Gauge, Galvanized, 10'-0" Long</p>  <p><u>GUTTER SUPPORT ANGLE</u> (MAG10)</p>
<p>26 Gauge, Standard Colors, 10'-1" Long</p>  <p><u>SIMPLE RAKE TRIM</u> (RTB01)</p>	<p>26 Gauge, Standard Colors, 10'-1" Long VR16 II Trim Shown, Classic &amp; CFR Similar</p>  <p><u>SIMPLE HIGH EAVE TRIM</u> (HE_)</p>	
<p>26 Gauge, Standard Colors For Use With Simple Rake Trim (Shown 1/2 Scale)</p>  <p><u>METAL GUTTER END CAP</u> (GEC01)</p>	<p>26 Gauge, Standard Colors For Use With Sculptured Rake Trim (Shown 1/2 Scale)</p>  <p><u>METAL GUTTER END CAP</u> (GEC02)</p>	

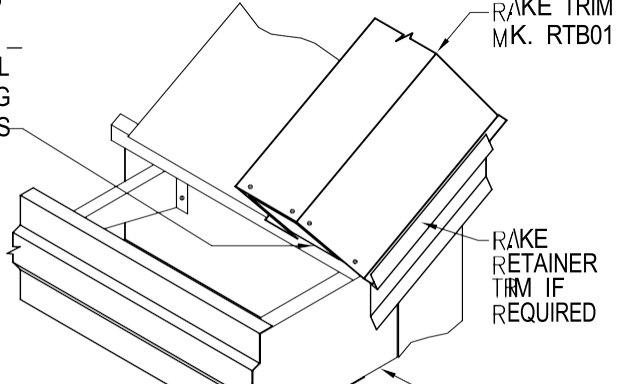
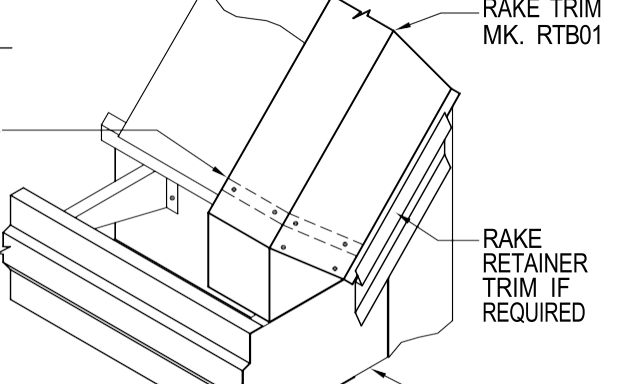
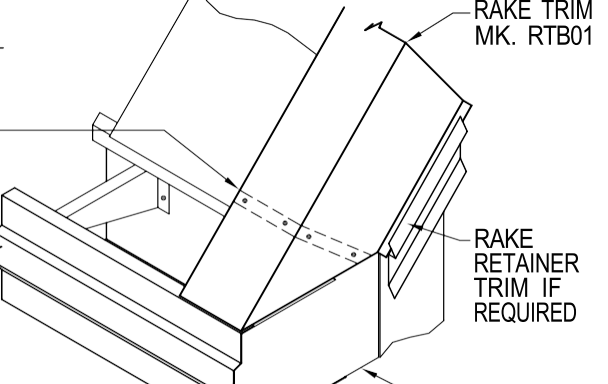
ASSEMBLY DETAIL

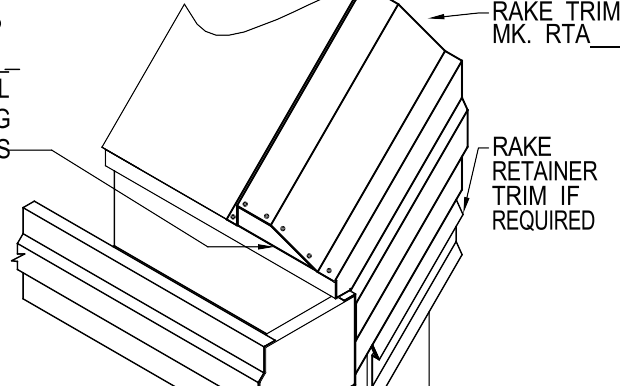
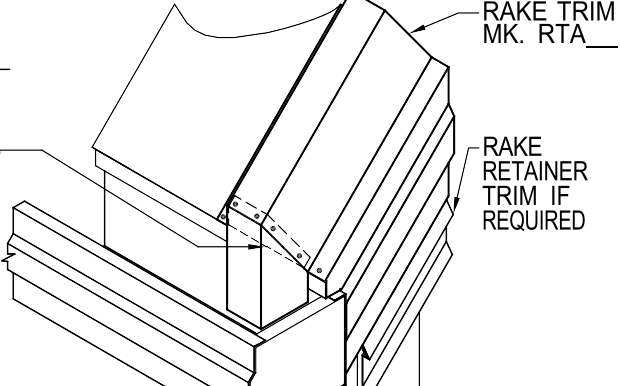
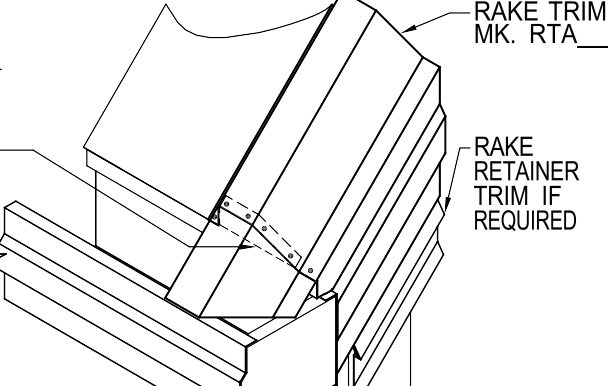


**SIMPLE RAKE & HIGH EAVE DETAILS**



**GUTTER TO RAKE TRANSITIONS**

<p>POSITION THE RAKE TRIM FLUSH AND SQUARE WITH THE END OF THE ROOF PANEL.</p>	<p>POSITION THE RAKE TRIM FLUSH AND SQUARE WITH THE END OF THE ROOF PANEL, AND THEN COPE THE VERTICAL LEG. SO THAT IT CAN BE BENT STRAIGHT DOWN AS SHOWN.</p>	<p>EXTEND THE RAKE TRIM OUT TO THE FRONT LIP OF THE GUTTER. THIS OPTION WILL ONLY WORK AT EXTREME SLOPES.</p>
 <p>Labels: END CAP MK. RCB, CAULK ALL ADJOINING SURFACES, RAKE TRIM MK. RTB01, RAKE RETAINER TRIM IF REQUIRED, GUTTER END CAP MK. GEC01</p>	 <p>Labels: END CAP MK. RCB, CAULK ALL ADJOINING SURFACES, RAKE TRIM MK. RTB01, RAKE RETAINER TRIM IF REQUIRED, GUTTER END CAP MK. GEC01</p>	 <p>Labels: END CAP MK. RCB, CAULK ALL ADJOINING SURFACES, RAKE TRIM MK. RTB01, RAKE RETAINER TRIM IF REQUIRED, GUTTER END CAP MK. GEC01</p>
<p>FASTEN WITH H1050 FASTENERS OR H1100 POP RIVETS AS REQUIRED</p> <p><b>OPTION 1</b></p>	<p>FASTEN WITH H1050 FASTENERS OR H1100 POP RIVETS AS REQUIRED</p> <p><b>OPTION 2</b></p>	<p>FASTEN WITH H1050 FASTENERS OR H1100 POP RIVETS AS REQUIRED</p> <p><b>OPTION 3</b></p>
<p><b>RECOMMENDED SIMPLE RAKE TO HORIZONTAL GUTTER DETAILS</b></p> <p>REGARDLESS OF THE OPTION CHOSEN, PLACE AN RCB END CAP FLUSH WITH THE END OF THE ROOF PANEL AND FASTEN WITH H1050 FASTENERS. OTHER TRANSITION OPTIONS EXIST. CREATE THE DETAIL THAT BEST FITS THE PROJECT'S NEEDS.</p>		

<p>POSITION THE RAKE TRIM FLUSH AND SQUARE WITH THE END OF THE ROOF PANEL. COPE THE RAKE TRIM AT THE BACK OF THE GUTTER.</p>	<p>POSITION THE RAKE TRIM FLUSH AND SQUARE WITH THE END OF THE ROOF PANEL, AND THEN COPE THE VERTICAL LEG. SO THAT IT CAN BE BENT STRAIGHT DOWN AS SHOWN.</p>	<p>EXTEND THE RAKE TRIM OUT TO THE FRONT LIP OF THE GUTTER. THIS OPTION WILL ONLY WORK AT EXTREME SLOPES.</p>
 <p>Labels: END CAP MK. RCA, CAULK ALL ADJOINING SURFACES, RAKE TRIM MK. RTA, RAKE RETAINER TRIM IF REQUIRED, GUTTER END CAP MK. GEC02</p>	 <p>Labels: END CAP MK. RCA, CAULK ALL ADJOINING SURFACES, RAKE TRIM MK. RTA, RAKE RETAINER TRIM IF REQUIRED, GUTTER END CAP MK. GEC02</p>	 <p>Labels: END CAP MK. RCA, CAULK ALL ADJOINING SURFACES, RAKE TRIM MK. RTA, RAKE RETAINER TRIM IF REQUIRED, GUTTER END CAP MK. GEC02</p>
<p>FASTEN WITH H1050 FASTENERS OR H1100 POP RIVETS AS REQUIRED</p> <p><b>OPTION 1</b></p>	<p>FASTEN WITH H1050 FASTENERS OR H1100 POP RIVETS AS REQUIRED</p> <p><b>OPTION 2</b></p>	<p>FASTEN WITH H1050 FASTENERS OR H1100 POP RIVETS AS REQUIRED</p> <p><b>OPTION 3</b></p>
<p><b>RECOMMENDED SCULPTURED RAKE TO HORIZONTAL GUTTER DETAILS</b></p> <p>REGARDLESS OF THE OPTION CHOSEN, PLACE AN RCA END CAP FLUSH WITH THE END OF THE ROOF PANEL AND FASTEN WITH H1050 FASTENERS. OTHER TRANSITION OPTIONS EXIST. CREATE THE DETAIL THAT BEST FITS THE PROJECT'S NEEDS.</p>		

**DOWNSPOUT OPTIONS**

